



**ZIPSCREEN**

ZIPSCREEN RANGE  
PRODUCT GUIDE

V.01.04.20





## TWO GUIDELINES

Orders that are released to TWO are processed in the most timely manner possible. As such, any changes made to an order once it is released to TWO cannot be guaranteed to be applied.

Invoices for orders with multiple products are due upon receipt of each product.

If the order is already in production, initial costs, cancellations or any change costs will be the responsibility of the dealer to cover.

All drawings, notes and emails with questions must be answered before an order is entered in to the production line. Delays in the timely processing of these by customers will lead to longer lead times.

All factory/freight repairs are to have photographic/video proof. If neither are available at the time of placing the repair, it will be processed as a dealer responsibility. TWO will credit back the cost of the repair once proof of factory/freight responsibility is given.

For special request/non-standard/limited availability items please check first with Head Office for availability. Any surcharges for these items will be the responsibility of the dealer to cover, even if it is not listed on the price list.

PDF Estimates generated from the system may not reflect final pricing. If all items are not selected in the order form or details are added to the notes section, the price may be altered.

All dealers are responsible for having the most current price lists and product manuals. If unsure please contact your account manager to confirm.

## TABLE OF CONTENTS

Care & Maintenance..... 4

### **Zipscreen**

Fabric & Colours..... 6

Mount..... 8

Componentry..... 9

Specifications..... 12

Operation..... 13

Morotorisation Accessories..... 14

Options..... 16

### **Zipscreen Extreme**

Fabric & Colours..... 19

Mount..... 21

Componentry..... 22

Specifications..... 25

Operation..... 26

Morotorisation Accessories..... 27

Options..... 29



## CARE & MAINTENANCE

In order to prolong the life of your Zipscreen blind and provide optimum performance, we recommend the following care and maintenance guidelines.

### **Regular Cleaning (At least every 3 months)**

- Ensure surfaces are free from dirt, dust and grime.
- Clean the Zipscreen blind with a soft brush.
- Run a soft brush along side channel to prevent dust and dirt build up on zip.
- Clean aluminium with a soft cloth and warm soapy water or a small amount of mild detergent if required. Do not use abrasive cleaning agents (eg. Ajax or steel wool) in any circumstance.

### **Do Not:**

- Do not leave the Zipscreen blind down when you are away from your home or in extreme weather conditions.
- Do not roll the Zipscreen blind up when wet (to avoid mould and mildew).
- Do not force the Zipscreen blind up or down if it is jamming. Forcing the Zipscreen blind may result in further damage (for example, the zip may be forced out of the side channel or the fabric may rip). Contact your Zipscreen supplier for guidelines of how to fix.
- Do not operate spring controlled Zipscreen blinds from the sides - always use the Weight Bar or Handle and pull from the centre.

### **Common Characteristics:**

Depending on the fabric selection, when the Zipscreen blind is initially pulled down some ripples may be evident. The ripples will lessen over time as the weight of the blind will stretch the fabric slightly and the ambient temperature will heat the fabric.

When a motorised blind is operated some 'jolting' may be evident. This effect is due to wind gusts causing spontaneous friction between the zip and side guides. This occurrence does not damage the blind.



**Operate the Zipscreen blind at least once a week to prevent build-up of dirt that will inhibit the operation of the blind.**





## ZIPSCREEN™

### ZIPSCREEN

To ensure you are reading the most up to date product information, always refer to the latest version of the product guide. The latest version is available to download from the TWO Ordering System.

If you have any product, installation, ordering or pricing questions, please contact your TWO Account Manager for assistance.

For pricing, please refer to the price and surcharge list.

Express Range

Fabric	
Group 1	Colours
Visiontex Plus 94%	Carbon Black, Graphite, Titan Grey, Everest, Greystone, Platinum, Havana, Jamaica , Kashmir, Desert, Bondi
Group 2	
Visiontex Ultra 99%	Onyx, Basalt, Tungsten

Standard Range

Fabric	
Group 1	Colours
Visiontex Plus 94%	Ice White, Ivory, Paperbark, Java, Evergreen, Amazon, Kelp, Arizona, Neptune, Baltic Blue
Group 2	
Visiontex Ultra 99%	Limestone, Sandstone, Sahara, Pebble, Claystone, Goldstone, Sapphire, Uluru
Outlook Mode 95%	Surfmist, Shale Grey, Platinum, Greystone, Ash, Woodland Grey, Windspray, Basalt, Monument, Eclipse, Moonlight, Flint, Blackstone, Chalk, Porcelain, Nougat, Wheat, Marzipan, Alpaca, Spice, Macchiato, Bamboo, Mocha, Silver Sky, Deep Sea, Pale Eucalypt, Forest Green, Maroon
Group 3	
Visiontex View 85%	Daylight, Night Sky, Shadow
Mode Privacy 99%	Basalt, Gunmetal, Monument, Storm, Shadow, Ebony, Black Opal, Paperbark, Colorado, Chestnut, Desert, Cotton
Group 4	
Visiontex Extreme	Tanami, Siera, Rio, Rocky, Maui, Kalahari, Dakota, Ararat
Mode Zero	Blackstone, Monument, Basalt, Platinum, Chalk, Alpaca

## ZIPSCREEN | FABRIC & COLOURS

### Standard Colours



White



Classic Cream



Paperbark



Natural  
Anodised



Monument



Woodland  
Grey



Black



Custom

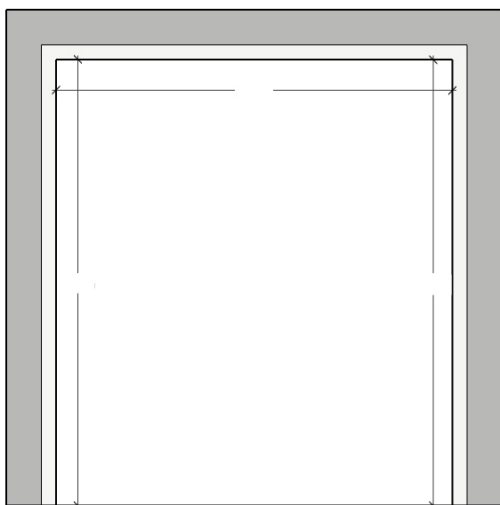
Hardware is available in 7 standard colours plus the option to custom powder coat.

### Custom Colours



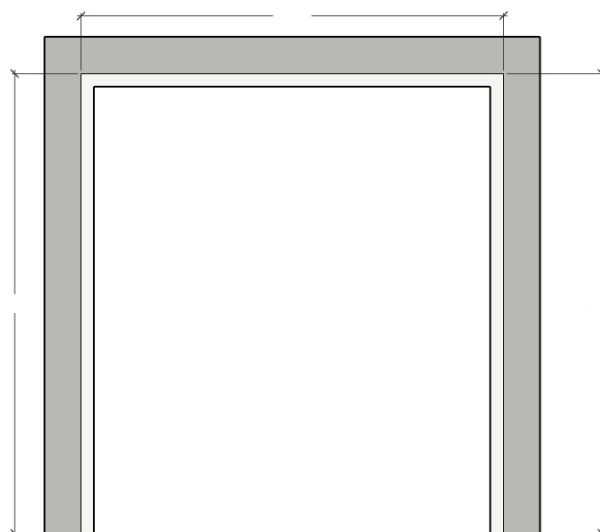
For custom colours, please refer to the current Dulux Powder Coat Selector.

Side Fit



Side Fit (Inside): The Zipscreen is installed on the inside of the opening.

Face Fit



Face Fit (Outside): The Zipscreen is installed on the front of the opening.

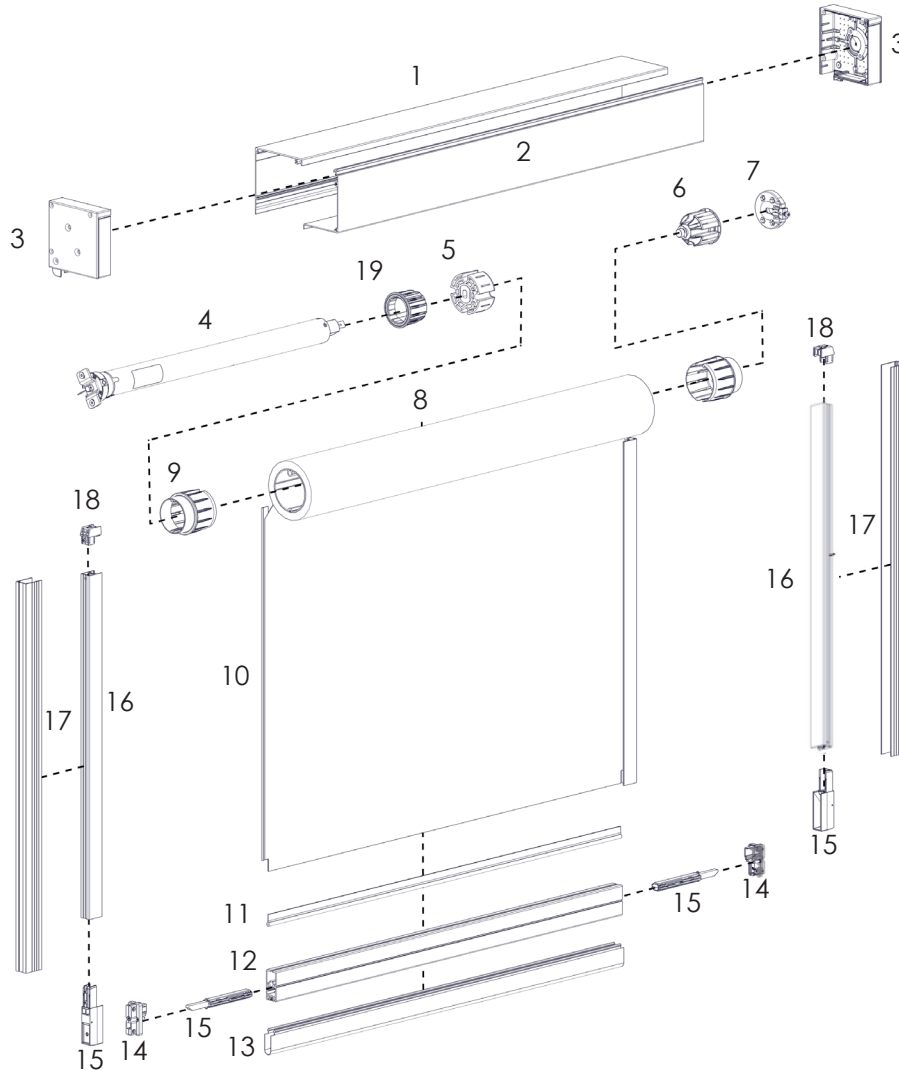
When determining the mount, check for any obstructions within or outside of the opening such as hand rails and check for out-of-square measurements, which may affect the operation of the screen as it moves up and down.





Componentry Breakdown

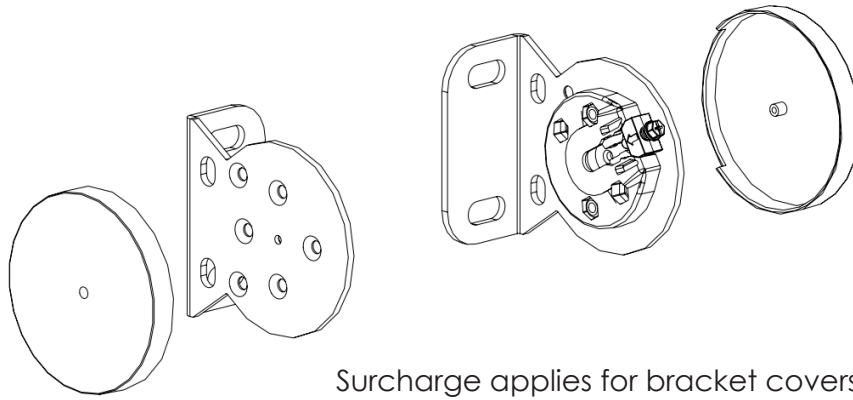
Zipscreen, Box 120, Motor, F56 Weight Bar, Ultra Lock



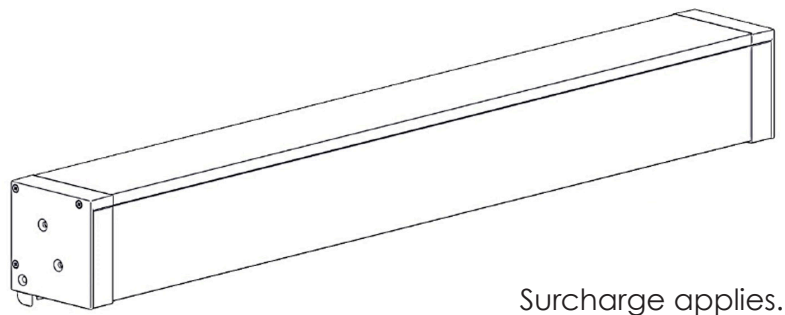
**Item # Description**

1	Box 120 Back	11	Fabric Tail Spline
2	Box 120 Full Cover	12	Weight Bar
3	Box 120 End Plate Set + Screws	13	Ultra-Lock Seal with Surcharge
4	Automate FT Motor	14	Zipscreen Weight Bar End Cap Set + Screws
5	78mm Drive	15	Zipscreen Ultra-Lock Set with Surcharge
6	63mm Bearing Idler	16	Zipscreen   Zip Inner Rail
7	Idler/Spring Adaptor	17	Zipscreen   U Mounting Rail
8	78mm Aluminium Tube	18	Zipscreen   Inner Rail Funnel & Stop
9	Zipscreen Reducer 78   63mm	19	63mm Crown
10	Zip   No.6 Gauge		

Open Brackets



Headbox

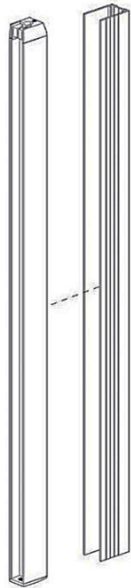


Tube

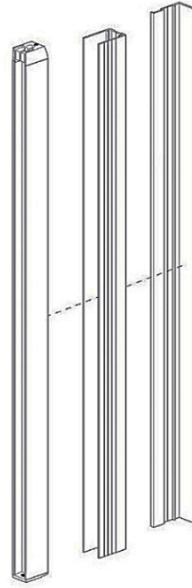


Side Guides

Side Guides: Side Fix

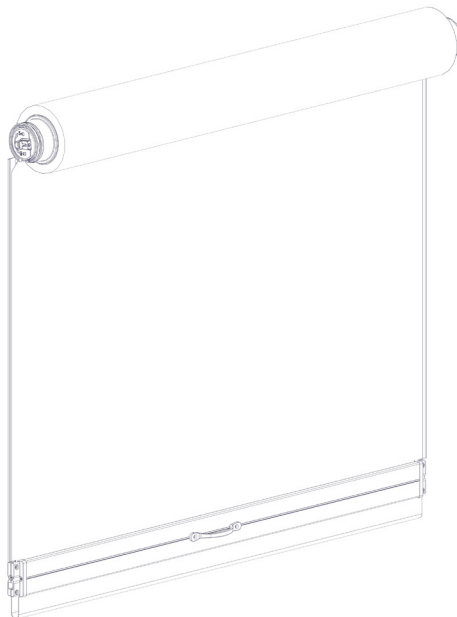


Side Guides: Face Fix



Screen with 2 Base Rail Options

The standard **F56 Base Rail** is included at all sizes and colour matched to the headboard and/or side channels.



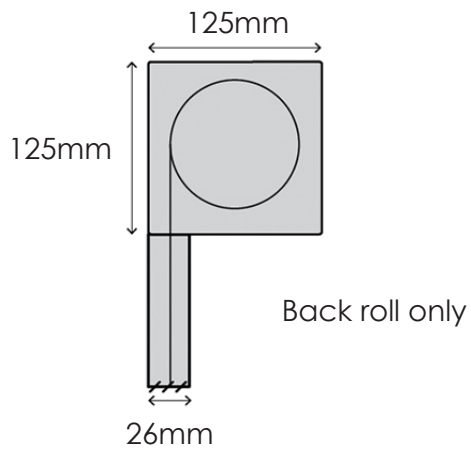
Standard upgrade to **F72 Base Rail** applies to Zipcreens over 4m wide (included in price). If under 4m wide it is available as an optional upgrade (see Options).

F56 Options	
Widths	Colours
800mm - 3999mm	White Classic Cream Paperbark Natural Anodised Monument Woodland Grey Black Custom*
	*Surcharge applies. Expect a longer lead time.

F72 Options	
Widths	Colours
4000mm - 7000mm	White Woodland Grey Black Natural Anodised Custom*
	*Surcharge applies. Expect a longer lead time.



Side View



Front View



Always measure looking from the front of the Zipscreen with the blind as a back roll.

## ZIPSCREEN | OPERATION

### Manual: Spring

Manual spring-loaded handle operation.



When ordering the Spring Assist control, please also select the Wind Lock.

### Manual: Crank Gear

Easy-to-use manual crank operation, unobtrusive design, removeable crank.



Sizes Available:  
1000mm  
1500mm  
2000mm

### Motorised: Rollease Acmeda Range

#### Automate Motors

FT S60 for Zipscreens (under 15m<sup>2</sup>)

#### Automate Remotes

5 Channel

15 Channel

#### Automate Sensors

Automate Wind + Sun Sensor (solar)

Automate Pulse / WiFi Hub (suitable with all ARC motors)

Repeater

### Motorised: Somfy Range

#### Somfy Motors

Altus 50 RTS 6/32 (up to 6m<sup>2</sup>)

Altus 50 RTS 25/17 (between 6 & 8m<sup>2</sup>)

Altus 50 RTS 40/17 (between 9 & 10m<sup>2</sup>)

#### Somfy Remotes

Telis 1 Channel

Telis 5 Channel

Telis 16 Channel

#### Somfy Sensors

Eolis RTS Sensor (wind)

Somfy Connexoon Window RT (suitable with RTS motors)



#### Motor Programming Guide

Click here to download the Automate programming guide.



#### Motor Programming Guide

Click here to download the Somfy programming guide.

Solar Sensor: Automate ARC



The solar-powered ARC Wind and Sun Sensor naturally reacts to the elements to automatically open or close a ZipScreen. Works to a range of 35m<sup>2</sup> for indoors, 200m open area.



**Set Up Guide**

Click here to download Automate Solar Power, Wind, Light & Rain set up guide.

Solar Sensor: Soliris RTS



The Soliris RTS Sun and Wind Sensor automatically controls your RTS motorised products based on current weather conditions.



**Set Up Guide**

Click here to download Soliris RTS Sensor set up guide.

Remote: Automate Push 5



Remote: Automate Paradigm





Automation: Automate Pulse Hub

Smartphone control is only available with the Automate motor + Pulse Hub - additional surcharge applies.



**Set Up Guide**

Click here to download Automate Pulse set up guide.



**Programming iOS**

Click here to download the programming guide for iOS.



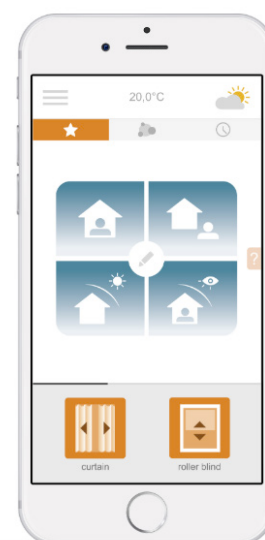
**Programming Android**

Click here to download the programming guide for Android.

Automation: Connexoon Windows RTS

Connexoon Window RTS is an intuitive, smart and playful app control solution designed to simplify your life.

- Control for up to 30 RTS channels per Connexoon from iOS and Android devices
- 4 scenarios per Connexoon
- 4 modes per Connexoon
- 8 schedules per Connexoon
- Automate window coverings with Scenes and Schedules
- Supports Up/Down/Stop commands and incremental control (tilt/brightness)
- Remote access via internet connection
- Ability to connect 4 smartphone devices
- Compatible with entire range of RTS products
- IFTTT (If This, Then That) compatible
- Ability to control via third-party voice assistants include Google Home and Amazon Echo
- Trigger scenes and schedules using voice commands or pre-set automations



## ZIPSCREEN | OPTIONS

### Bubble Strip



The Bubble Strip is the default factory option unless otherwise specified.

### Skirt



### Ultra Seal



The Ultra Seal is the only option available for the Ultra Lock.

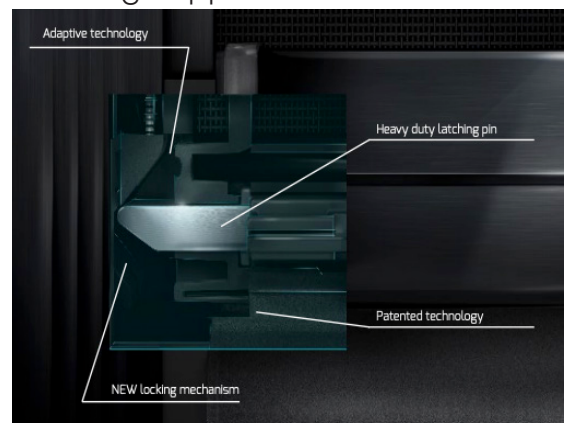
### Wind Lock



The Wind Lock comes standard with the Spring Assist control.

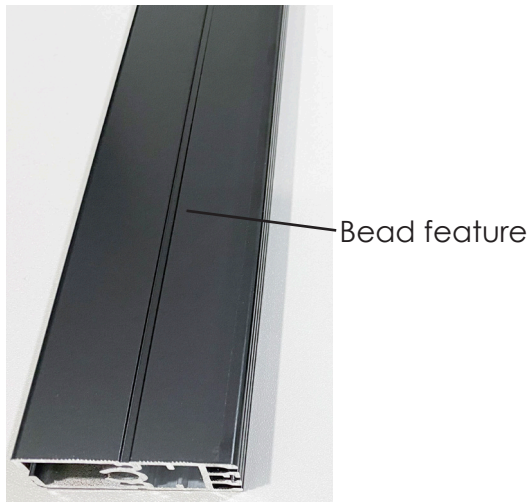
### Ultra Lock

Surcharge applies.



The Ultra Lock utilises a heavy-duty latching pin and hidden integration to secure and tension your blind; ensuring a reinforced, ultra-smooth fabric finish. The Ultra Seal comes standard with this lock.

Base Rail - F56



Base Rail - F72



The F72 comes factory standard with the Zipscreen Extreme (4m - 5.8m wide).

F56 Options

Widths	Colours
800mm - 3999mm	White Classic Cream Paperbark Natural Anodised Monument Woodland Grey Black Custom*  *Surcharge applies

F72 Options

Widths	Colours
4000mm - 7000mm	White Woodland Grey Black Natural Anodised Custom*  *Surcharge applies with a longer lead time

Headbox

Surcharge applies.



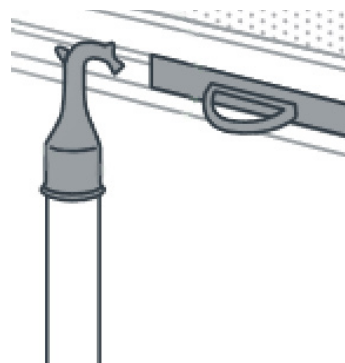
Full enclosed cassette



Semi fascia

Pull Stick

For ease of adjusting the Zipscreen height. Surcharge applies.



Sizes

- 1000 mm
- 1500 mm
- 2000 mm





# ZIPSCREEN™

## ZIPSCREEN EXTREME

To ensure you are reading the most up to date product information, always refer to the latest version of the product guide. The latest version is available to download from the TWO Ordering System.

If you have any product, installation, ordering or pricing questions, please contact your TWO Account Manager for assistance.

For pricing, please refer to the price and surcharge list.

Express Range

Fabric	
Group 1	Colours
Visiontex Plus 94%	Carbon Black, Graphite, Titan Grey, Everest, Greystone, Platinum, Havana, Jamaica , Kashmir, Desert, Bondi
Group 2	
Visiontex Ultra 99%	Onyx, Basalt, Tungsten

Standard Range

Fabric	
Group 1	Colours
Visiontex Plus 94%	Ice White, Ivory, Paperbark, Java, Evergreen, Amazon, Kelp, Arizona, Neptune, Baltic Blue
Group 2	
Visiontex Ultra 99%	Limestone, Sandstone, Sahara, Pebble, Claystone, Goldstone, Sapphire, Uluru
Outlook Mode 95%	Surfmist, Shale Grey, Platinum, Greystone, Ash, Woodland Grey, Windspray, Basalt, Monument, Eclipse, Moonlight, Flint, Blackstone, Chalk, Porcelain, Nougat, Wheat, Marzipan, Alpaca, Spice, Macchiato, Bamboo, Mocha, Silver Sky, Deep Sea, Pale Eucalypt, Forest Green, Maroon
Group 3	
Visiontex View 85%	Daylight, Night Sky, Shadow
Mode Privacy 99%	Basalt, Gunmetal, Monument, Storm, Shadow, Ebony, Black Opal, Paperbark, Colorado, Chestnut, Desert, Cotton
Group 4	
Visiontex Extreme	Tanami, Siera, Rio, Rocky, Maui, Kalahari, Dakota, Ararat
Mode Zero	Blackstone, Monument, Basalt, Platinum, Chalk, Alpaca

## ZIPSCREEN EXTREME | FABRIC & COLOURS

### Standard Colours



White



Woodland  
Grey



Black



Natural  
Anodised



Custom

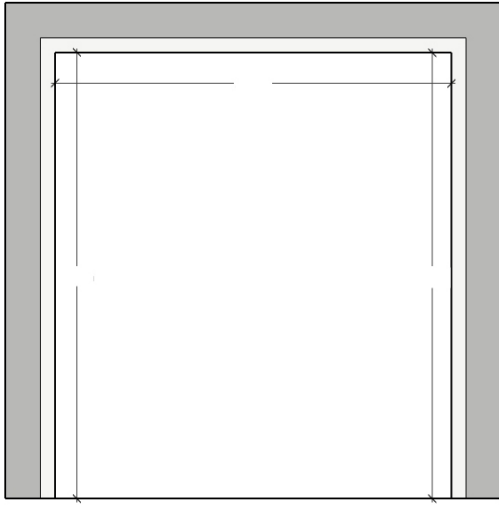
Hardware is available in 4 standard colours plus the option to custom powder coat.

### Custom Colours



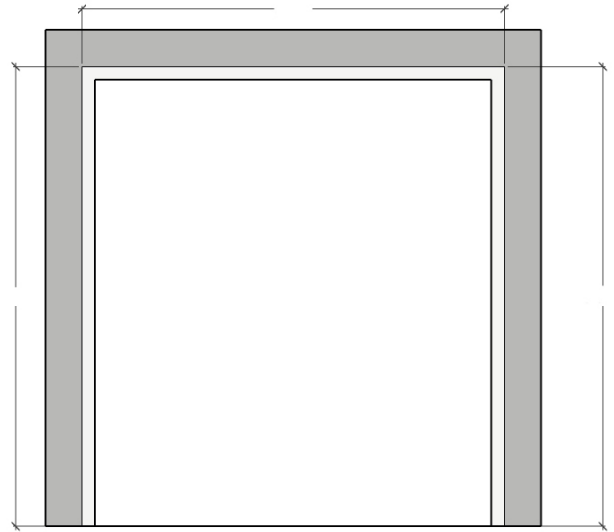
For custom colours, please refer to the current Dulux Powder Coat Selector.

Side Fit



Side Fit (Inside): The Zipscreen is installed on the inside of the opening.

Face Fit



Face Fit (Outside): The Zipscreen is installed on the front of the opening.

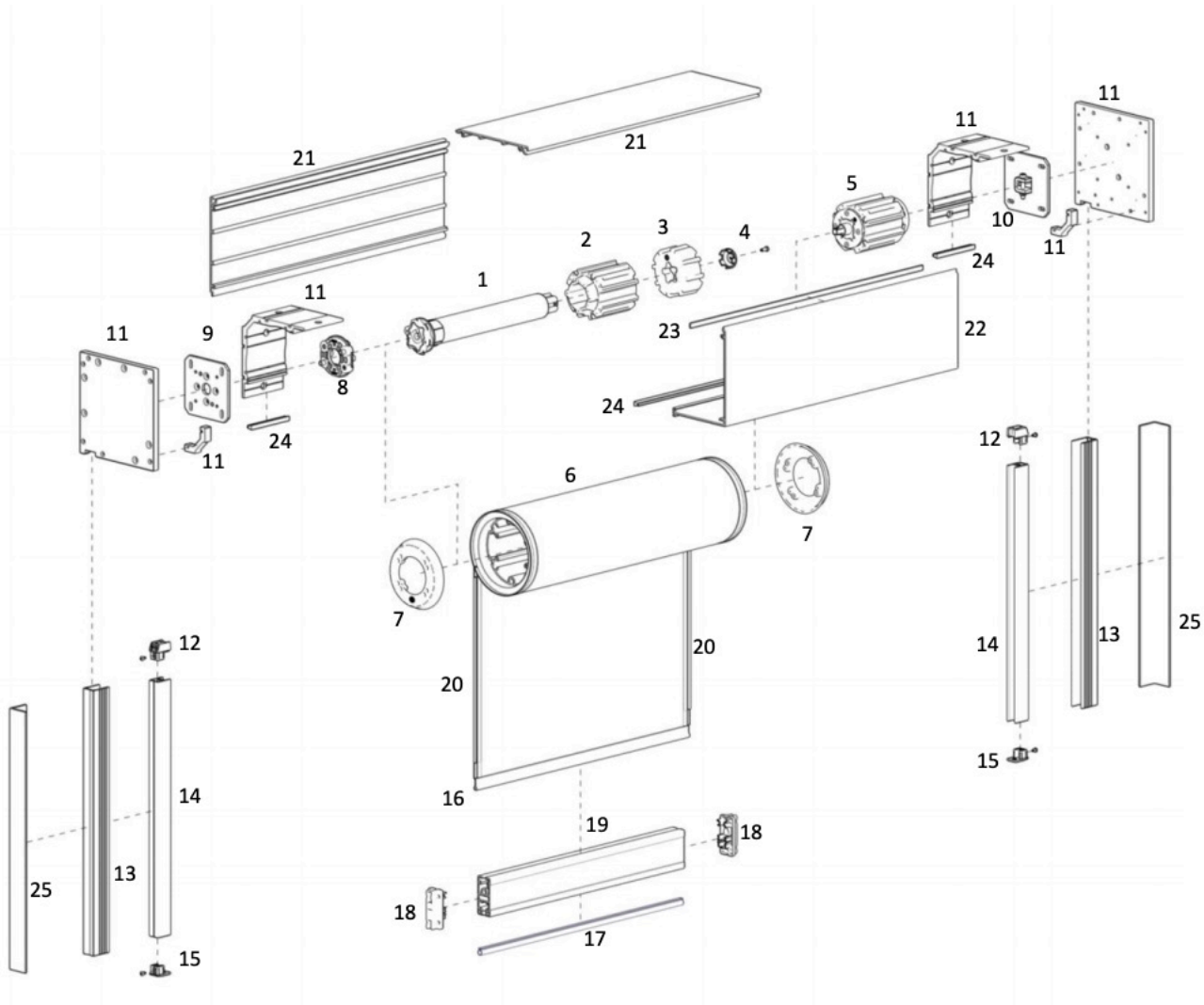
When determining the mount, check for any obstructions within or outside of the opening such as hand rails and check for out-of-square measurements, which may affect the operation of the screen as it moves up and down.





Componentry Breakdown

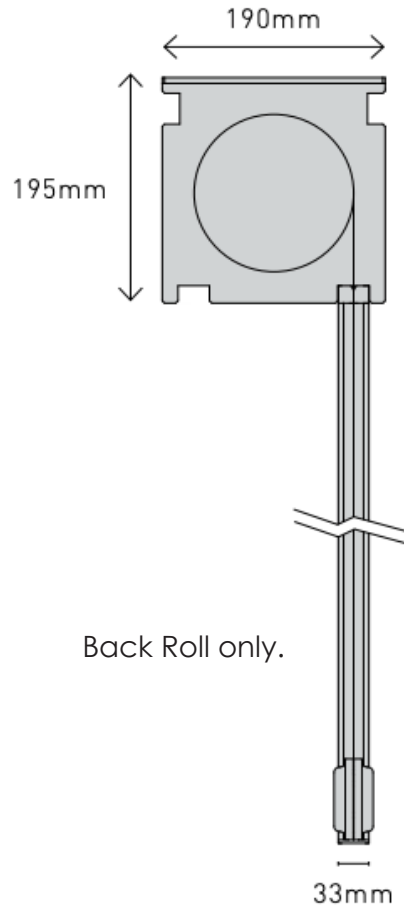
**Zipscreen Extreme, Box 190, Motor, F72 Weight Bar**



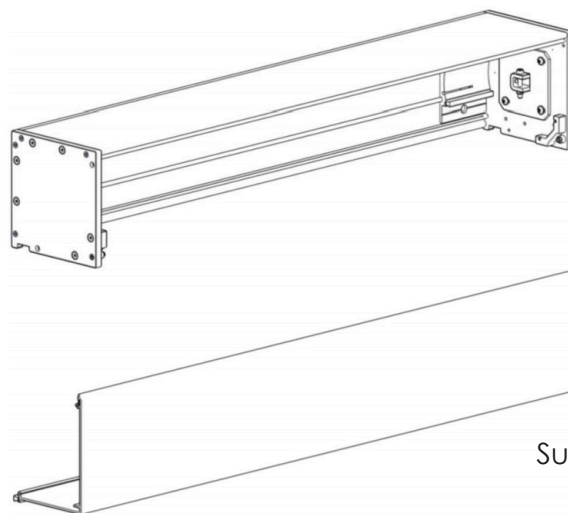
**Item # Description**

- |   |   |
|---|---|
| 1. X50 Acmeda Motor                               | 14. Zipscreen – Zip Inner Rail                |
| 2. Extreme Crown Wheel – S100                     | 15. Zipscreen – Zip Inner Rail Bottom Cap Set |
| 3. Extreme Drive Wheel – S100                     | 16. Spline – 7.2mm with tail                  |
| 4. Motor Clip supplied with X50 Motor             | 17. Bubble Seal                               |
| 5. Extreme Bearing Idler                          | 18. F72 HD Weight Bar End Caps                |
| 6. S100 Aluminium Tubes                           | 19. F72 HD Weight Bar                         |
| 7. S100 – ZIP Reducer End Plate Set               | 20. Zip – No. 6 Gauge, Double Sided           |
| 8. Universal Zamak Adaptor                        | 21. Box 190 Top & Back Extrusion              |
| 9. Extreme Sq. Cntrl Bracket Plate – SIDE FIX     | 22. Box 190 Front Cover Extrusion             |
| 10. Extreme Sq. Idle Bracket Plate – SIDE FIX     | 25. Fixing Rail (Face Fix installation)       |
| 11. Box 190 End Plate Set & Screws for both sides |   |
| 12. Zipscreen Inner Rail Funnel & Stop Set        |   |
| 13. Zipscreen – U Mounting Rail                   |   |

Open Brackets



Headbox



Surcharge applies.

Tube



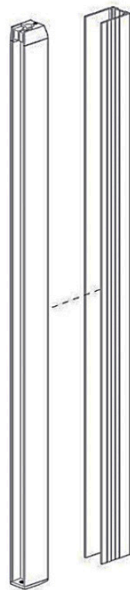
Tube with reducer attached.



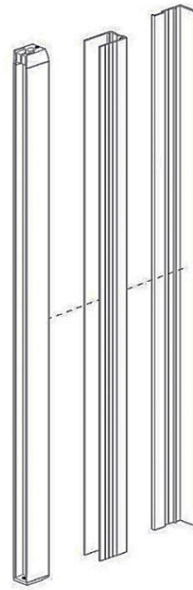
Note: 110mm Aluminium tube for blinds up to 5mtrs, anything over with need a 130mm tube.

Side Guides

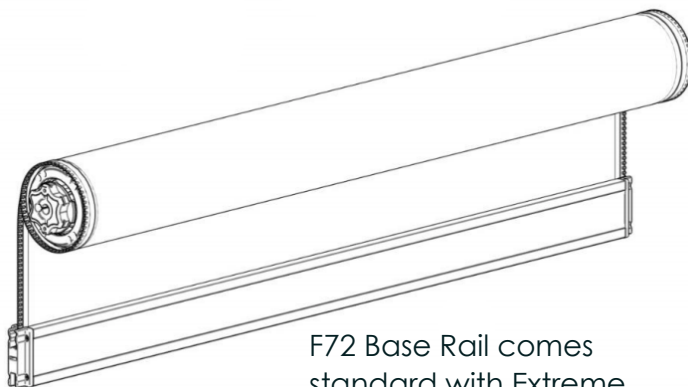
Side Guides: Side Fix



Side Guides: Face Fix



Screen with F72 Base Rail

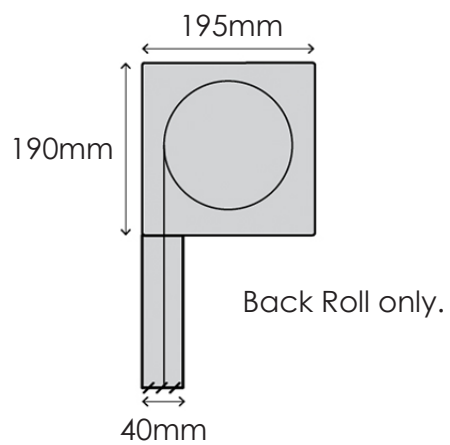


F72 Options

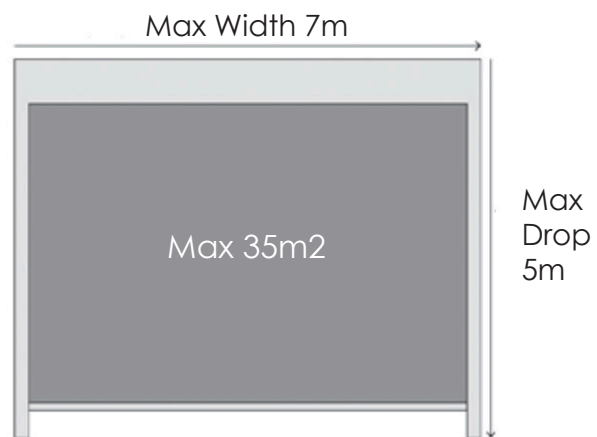
Widths	Colours
4000mm - 7000mm	White Woodland Grey Black Natural Anodised Custom*
	*Surcharge applies. Expect a longer lead time.

## ZIPSCREEN EXTREME | SPECIFICATIONS

Side View



Front View



Always measure looking from the front of the Zipscreen with the blind as a back roll.



Only motorised operation is available for Zipscreen Extreme.

Motorised: Rollease Acmeda Range

**Automate Motors**

X50 for Extremes (under 35m<sup>2</sup>)

**Automate Remotes**

5 Channel

15 Channel

**Automate Sensors**

Automate Wind + Sun Sensor (solar)

Automate Pulse / WiFi Hub (suitable with all ARC motors)

Repeater

Motorised: Somfy Range

**Somfy Motors**

Altus 50 RTS 50/12 (over 10m<sup>2</sup> and must be used on Zipscreen Extreme)

**Somfy Remotes**

Telis 1 Channel

Telis 5 Channel

Telis 16 Channel

**Somfy Sensors**

Eolis RTS Sensor (wind)

Somfy Connexoon Window RT (suitable with RTS motors)



**Motor Programming Guide**

Click here to download the Automate programming guide.



**Motor Programming Guide**

Click here to download the Somfy programming guide.

Solar Sensor: Automate ARC



The solar-powered ARC Wind and Sun Sensor naturally reacts to the elements to automatically open or close a ZipScreen. Works to a range of 35m<sup>2</sup> for indoors, 200m open area.



**Set Up Guide**

Click here to download Automate Solar Power, Wind, Light & Rain set up guide.

Solar Sensor: Soliris RTS



The Soliris RTS Sun and Wind Sensor automatically controls your RTS motorised products based on current weather conditions.



**Set Up Guide**

Click here to download Soliris RTS Sensor set up guide.

Remote: Automate Push 5



Remote: Automate Paradigm



Automation: Automate Pulse Hub

Smartphone control is only available with the Automate motor + Pulse Hub - additional surcharge applies.



**Set Up Guide**

Click here to download Automate Pulse set up guide.



**Programming iOS**

Click here to download the programming guide for iOS.



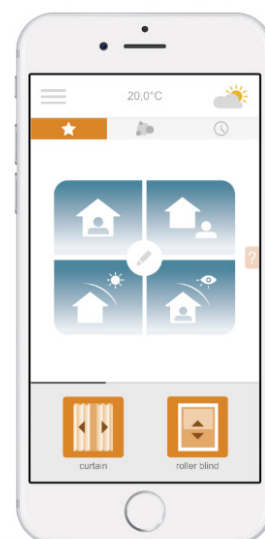
**Programming Android**

Click here to download the programming guide for Android.

Automation: Connexoon Windows RTS

Connexoon Window RTS is an intuitive, smart and playful app control solution designed to simplify your life.

- Control for up to 30 RTS channels per Connexoon from iOS and Android devices
- 4 scenarios per Connexoon
- 4 modes per Connexoon
- 8 schedules per Connexoon
- Automate window coverings with Scenes and Schedules
- Supports Up/Down/Stop commands and incremental control (tilt/brightness)
- Remote access via internet connection
- Ability to connect 4 smartphone devices
- Compatible with entire range of RTS products
- IFTTT (If This, Then That) compatible
- Ability to control via third-party voice assistants include Google Home and Amazon Echo
- Trigger scenes and schedules using voice commands or pre-set automations



## ZIPSCREEN EXTREME | OPTIONS

### Bubble Strip



The Bubble Strip is the default factory option unless otherwise specified.

### Skirt



### Ultra Seal



The Ultra Seal is the only option available for the Ultra Lock.

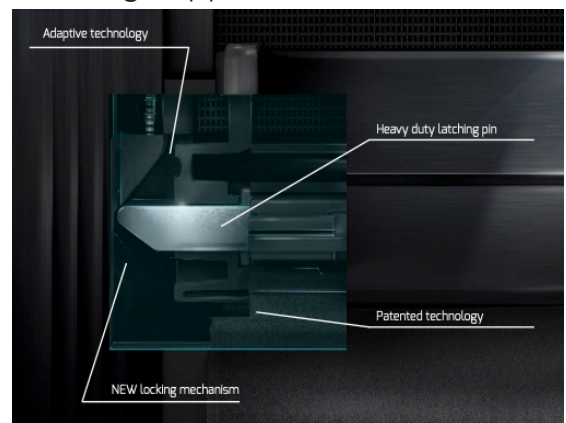
### Wind Lock



The Wind Lock comes standard with the Spring Assist control. You are still required to select it in the ordering system.

### Ultra Lock

Surcharge applies.



The Ultra Lock utilises a heavy-duty latching pin and hidden integration to secure and tension your blind; ensuring a reinforced, ultra-smooth fabric finish. The Ultra Seal comes standard with this lock.



Base Rail - F72



The F72 comes factory standard with the Zipscreen Extreme.

Headbox

Surcharge applies.



Full enclosed cassette



Semi fascia

F72 Options

Widths	Colours
4000mm - 7000mm	White Woodland Grey Black Natural Anodised Custom*
	*Surcharge applies



**Head Office & Factory**  
347 Macdonnell Road  
Clontarf QLD 4019

**Phone** 1300 183 910  
**Email** [orders@two-australia.com](mailto:orders@two-australia.com)  
**Web** [www.two-australia.com](http://www.two-australia.com)

